

Modern English

Old English



Painted Wood Panel Doors

Kokeena's Modern English and Old English doors are based on our standard shaker door template, which we refer to as a Panel door, and a variant we call an Ogee Panel.

They are a traditional 5-piece design with solid wood rails and stiles and a veneered inset panel. While the Modern English has the unornamented lines of a shaker door, the Old English has an ogee detail on inside of the rails and stiles.

Both are painted and then finished with a water-based conversion varnish to a 20% sheen for unsurpassed durability, good looks, and solid sustainability credentials.

Modern English



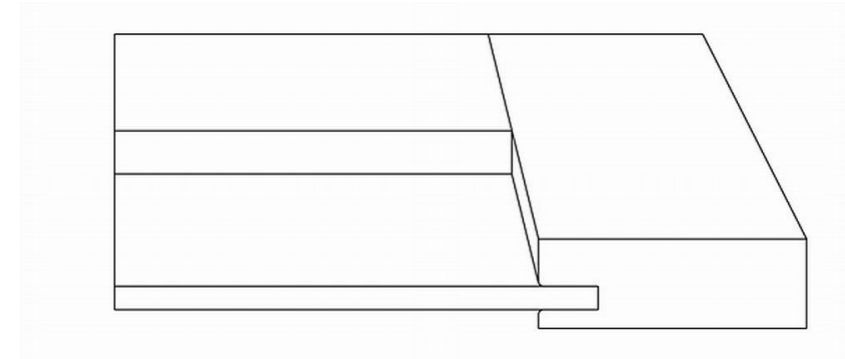
Old English



Modern English

This is a traditional, 5-piece Shaker-style door with solid rails & stiles and a veneered-MDF panel. Veneered MDF is used in the panel for its combination of dimensional stability and paint acceptance, and because it reduces the use of virgin wood.

Attribute	Detail
Wood Species - Frame	Paint Grade Maple, Solid
Wood Species - Center Panel	NAUF MDF Core, Maple Veneer
Finish Type	Paint + Water-based Conversion Varnish
Finish Sheen	Low, 20% (similar to Satin)
Adhesives & Glues	Low- or no-VOC
Overall Thickness	3/4"
Rail / Stile Thickness	3/4"
Rail / Stile Profile	Square edge / shaker
Panel Thickness	1/4"
Inset Reveal (distance from rail face to panel face)	3/16"
Rail / Stile Width	2 1/4"
5" Drawer Style	Slab
All Other Drawers Style	5-piece
Max Door Height	60"
Max Door Height without Center Rail	40"
Boring	Bored for IKEA SEKTION Other Systems on Special Request
Custom Sizes Available?	Yes, consultation required



Door Construction

5-piece shaker. Solid wood frame with glued tongue & groove joints. 1/4" NAUF MDF inset panel with veneer on both sides.

Drawer Construction

5" Drawer: Solid wood slab

10" and 15" Drawer: 5-piece shaker (same as doors)

End Panels

Standard panels are slab-style; 3/4" NAUF high-density recycled wood substrate, veneered both sides and edge-banded. Shaker-style panels available on request.

Filler & Toe Kick

Filler / trim strips are veneered both sides and edge-banded; finished all sides. Toe kick is veneered on two sides, finished one side.

Adhesives

Low- or no-VOC glue (joints) and adhesive (veneer). The specific formulations may vary depending on availability.

Finish

Filled, sanded, primed, painted and finished with clear coat. Spray application. Water-based conversion varnish. Low sheen (20%); similar to off-the-shelf "satin." Custom colors available on request.

Sizes

All door / front sizes, and a standard set of end panels and trim are available and priced for the SEKTION system. Doors and drawer fronts come pre-bored and ready to install on the hinges and drawers that come with IKEA's cabinets.

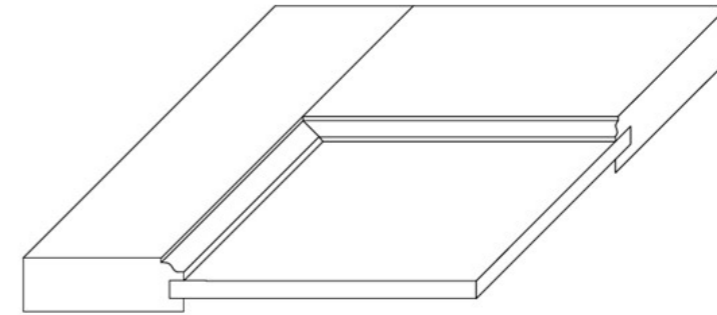
Custom sizes, including for other IKEA systems, available on request.

Warranty

2 year standard warranty. See full warranty details at [kokeena.com/standard-warranty](https://www.ikea.com/us/en/sections/warranty/standard-warranty).

Old English

This is a traditional, 5-piece door with solid rails & stiles, an ogee detail on the inner edge of the rails and stiles, and a veneered-MDF panel. Veneered MDF is used in the panel for its combination of dimensional stability and paint acceptance, and because it reduces the use of virgin wood.



Attribute	Detail
Wood Species - Frame	Paint Grade Maple, Solid
Wood Species - Center Panel	NAUF MDF Core, Maple Veneer
Finish Type	Paint + Water-based Conversion Varnish
Finish Sheen	Low, 20% (similar to Satin)
Adhesives & Glues	Low- or no-VOC
Overall Thickness	3/4"
Rail / Stile Thickness	3/4"
Rail / Stile Profile	Ogee / s-curve
Panel Thickness	1/4"
Inset Reveal (distance from rail face to panel face)	5/16"
Rail / Stile Width	2 1/4"
5" Drawer Style	Slab
All Other Drawers Style	5-piece
Max Door Height	60"
Max Door Height without Center Rail	40"
Boring	Bored for IKEA SEKTION Other Systems on Special Request
Custom Sizes Available?	Yes, consultation required



Door Construction

5-piece panel door. Solid wood frame with glued tongue & groove joints. 1/4" NAUF MDF inset panel with veneer on both sides.

Drawer Construction

5" Drawer: Solid wood slab

10" and 15" Drawer: 5-piece (same as doors)

End Panels

Standard panels are slab-style; 3/4" NAUF high-density recycled wood substrate, veneered both sides and edge-banded. 5-piece ogee-style panels available on request.

Filler & Toe Kick

Filler / trim strips are veneered both sides and edge-banded; finished all sides. Toe kick is veneered on two sides, finished one side.

Adhesives

Low- or no-VOC glue (joints) and adhesive (veneer). The specific formulations may vary depending on availability.

Finish

Filled, sanded, primed, painted and finished with clear coat. Spray application. Water-based conversion varnish. Low sheen (20%); similar to off-the-shelf "satin." Custom colors available on request.

Sizes

All door / front sizes, and a standard set of end panels and trim are available and priced for the SEKTION system. Doors and drawer fronts come pre-bored and ready to install on the hinges and drawers that come with IKEA's cabinets.

Custom sizes, including for other IKEA systems, available on request.

Warranty

2 year standard warranty. See full warranty details at kokeena.com/standard-warranty.